

ZL-1504 Zwei L Stainless Steel Door Knob

Features

- Superior "Zwei L Finish" - Zwei L represents the very pinnacle of ultra-premium Japanese hardware design. The contrasting bands of mirror finish and lustrous satin on a faceted profile give a jewel like finish that highlights and enhances any industrial design

Material

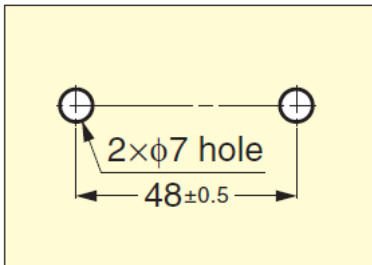
- Stainless steel 316, Zwei L finish

Parts Included

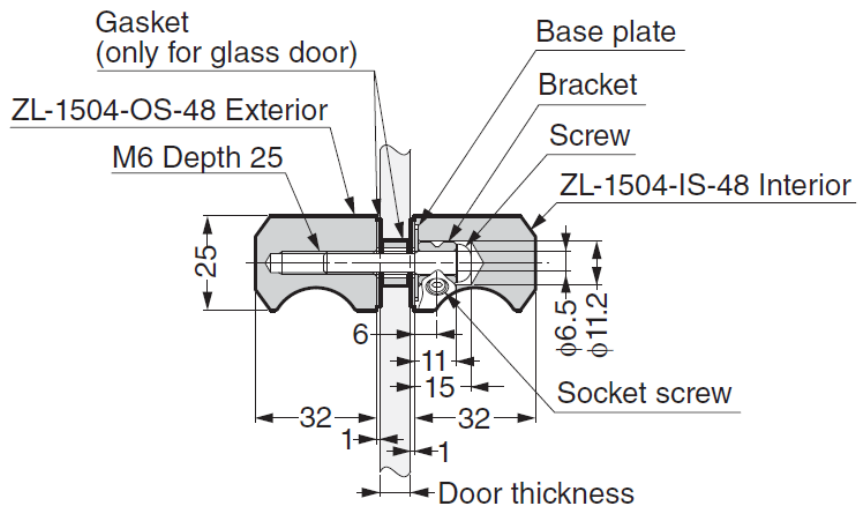
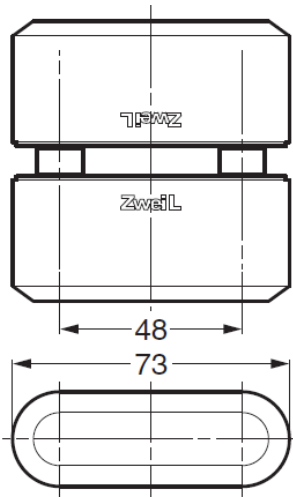
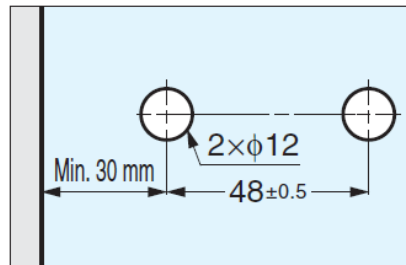
- Bolt set for door knob
- Allen key
- Gasket



Cut Out Dimensions (For Wood)



Cut Out Dimensions (For Glass)



Part No.	Type	Door Thickness
ZL-1504-IS-48	Interior Knob	Wooden / Metal Frame: 36 ~ 48 Glass: 6, 8, 10, 12
ZL-1504-OS-48	Exterior Knob	
ZL-1504-WN-48	Back-to-Back Knob	